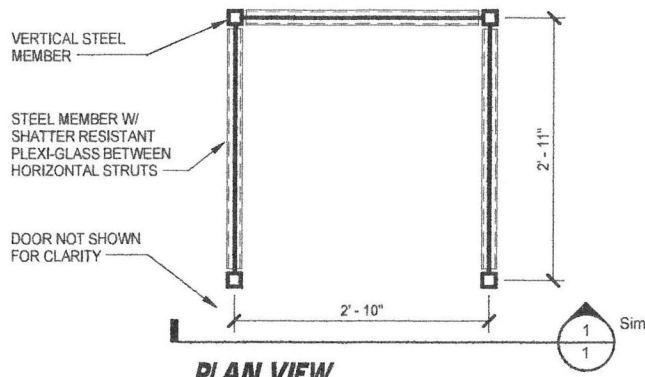


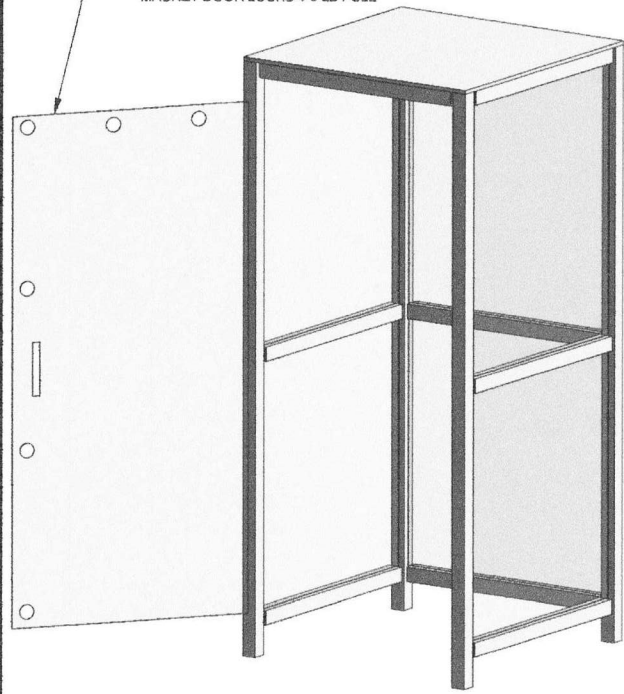
EXHIBIT A



PLAN VIEW

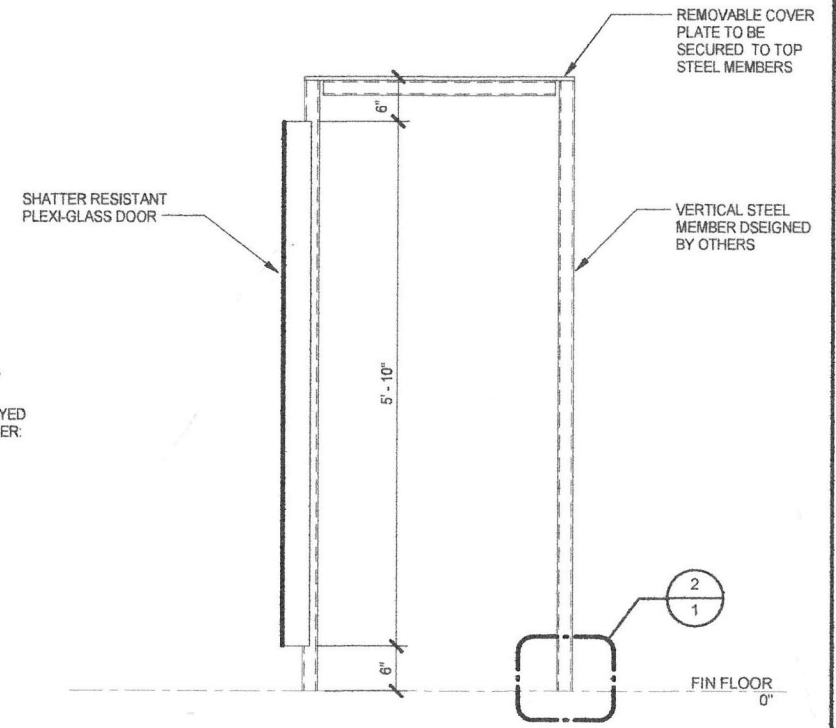
3/4" = 1'-0"

CLEAR .118" SHATTER RESISTANT PLEXI-GLASS DOOR W/ HANDLE. SECURE TO STEEL FRAME WITH MAGNET DOOR LOCKS 4-5 LB PULL



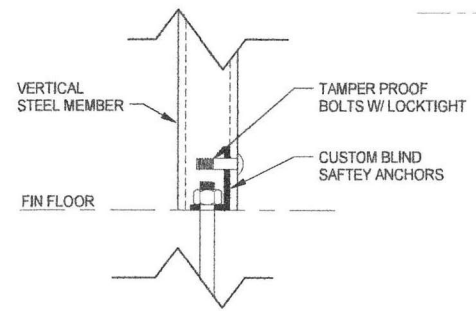
GENERAL NOTES

- NOTE:
 1. FRAME SHALL BE PAINTED WITH AN ALKYDED ENAMEL PAINT. COLOR CHOICE BY OWNER:
 -BLACK
 -GREY
 -YELLOW
 -RED
 -HAMMERTONE
 -COPPER



1 ELEVATION

3/4" = 1'-0"



2 DETAIL

3" = 1'-0"

PHONE BOOTH

SHEET
1